

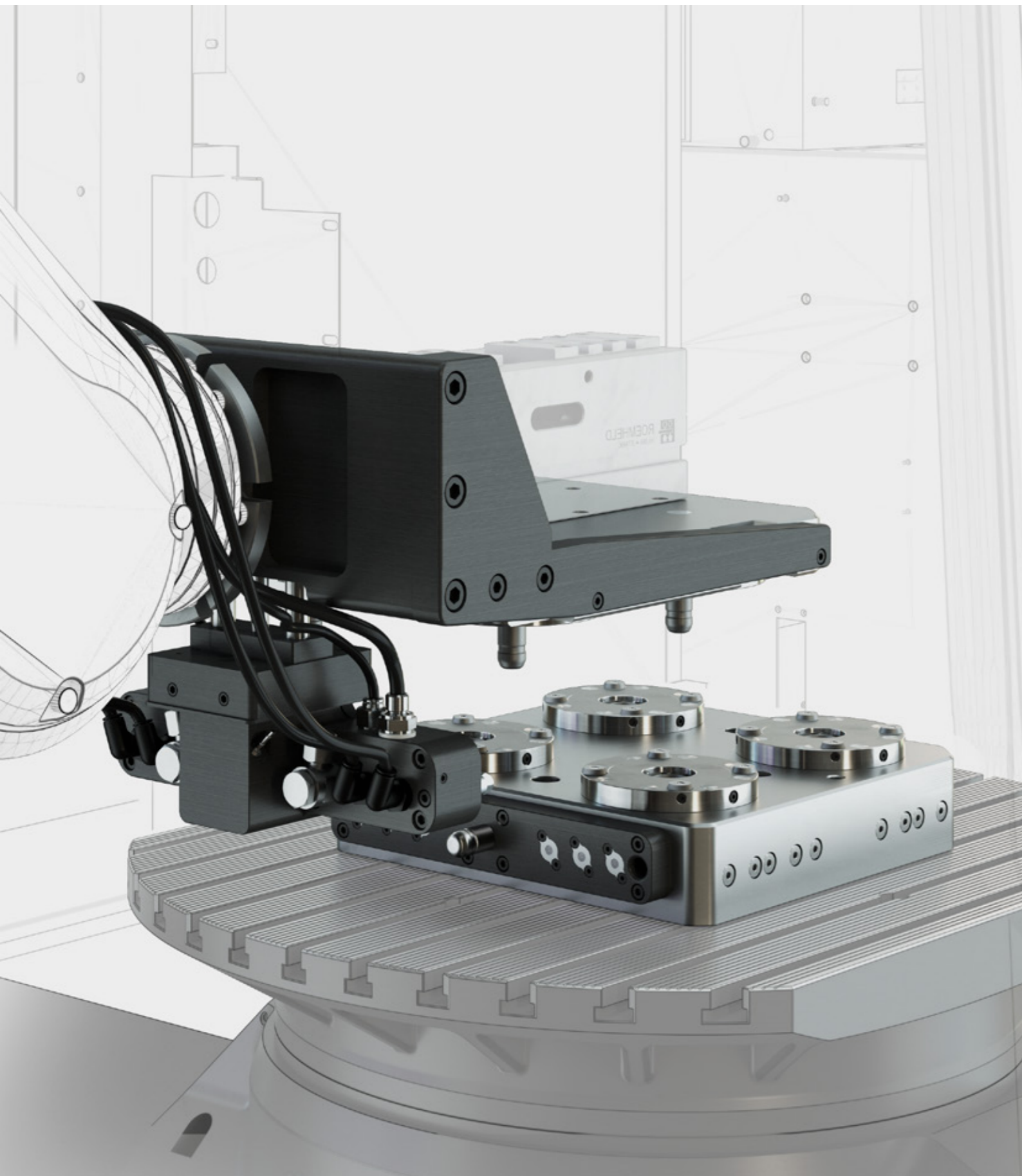


**ROEMHELD**  
HILMA ■ STARK



STARK robot gripper

**AUTOMATION – RETROFIT**  
Robot gripper with media supply  
and zero point clamping system

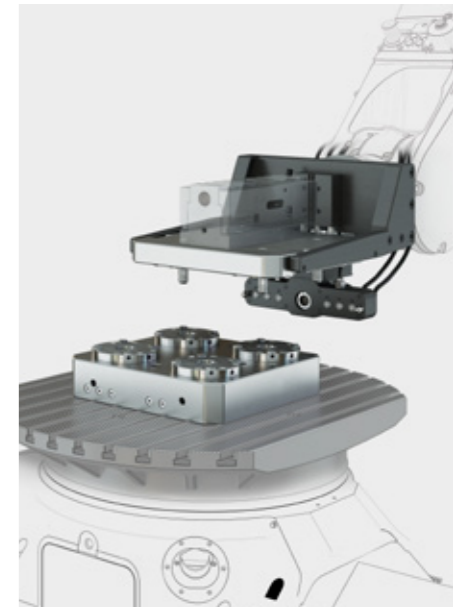


**AUTOMATION**

## STARK robot gripper with dedicated media supply enables automated pallet changing

The STARK robot gripper with a dedicated media supply and zero point clamping system enables automated pallet changing, even on machines without own media supply. The media required for the release and clamping processes, for example hydraulics, compressed air and electric, is transferred via a multiple coupling integrated into the pallet gripper. This makes the innovation perfect for retrofitting.

- Automation & retrofit
- Solution for automated pallet change without own media supply
- Cost-effective entry-level automation solution
- Time to market – short implementation time  
Standardised coupling and flexible modular system
- STARK robot gripper scalable in size and weight



### STARK robot gripper

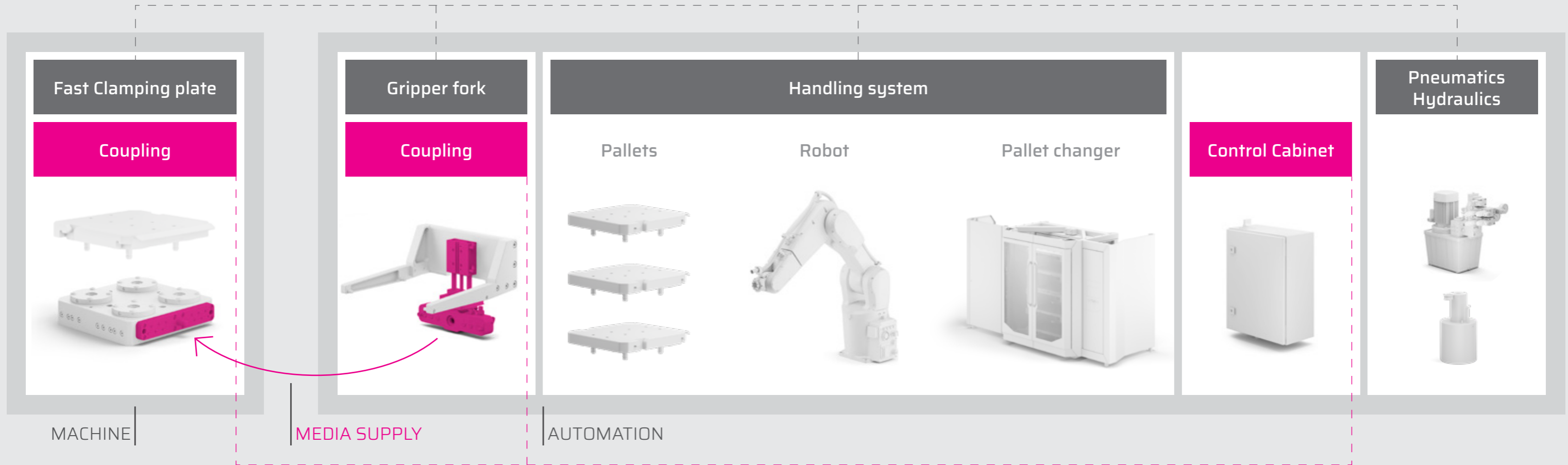
**EXAMPLE OF USE**

Zero point clamping system with 4 **STARK.classic.NG**

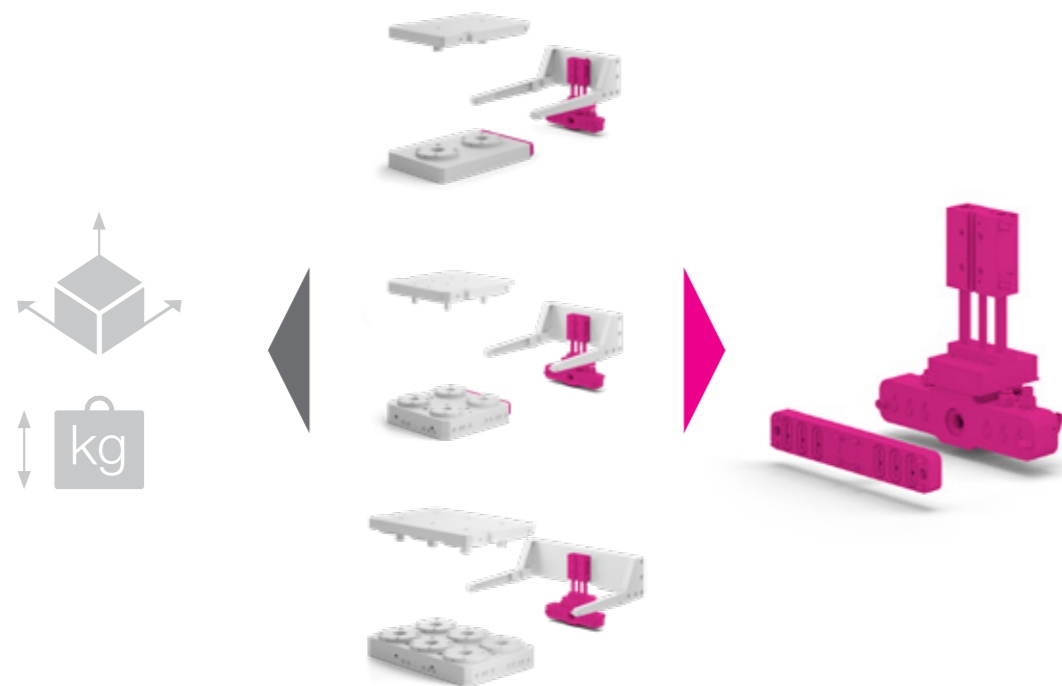
**FEATURES**

- Releasing and clamping zero point clamping system
- automated cleaning (blow out)
  - ✓ fast clamping plate
  - ✓ couplings
  - ✓ locking device
- process safety
  - ✓ release check
  - ✓ clamp check
  - ✓ seat check

INDIVIDUAL CUSTOMER REQUIREMENTS



STANDARDISED



**TIME TO MARKET**

Reduced implementation time & costs thanks to standardised coupling unit and flexible modular system.



**MEDIA SUPPLY**

Automated pallet change without media supply on the machine table.

Media supply to fast-clamping plate via robot gripper with integrated multiple coupling.



**SCALING**

STARK robot gripper scalable in size and weight.



**CUSTOMISATION**

Modular system with standardised coupling unit.

## It starts with understanding the customer's application in detail.

Increasing complexity and rapidly changing conditions, markets and customer needs demand customised solutions for unique challenges. In addition to a perfect product, it is also increasingly important to offer process expertise and comprehensive consulting services.

We are speeding up processes to be even closer to our customers. Local contacts and a global team guarantee sustainable solutions that meet the high technical and economic expectations of our customers.

- a holistic approach to processes and analyses ensure smooth and cost-optimised production
- development of customised complete solutions or solutions for optimizing sub-processes
- development and implementation expertise that has been built up over decades
- flexible yet efficient production structures

## Focus on industries and markets

Our comprehensive industry expertise, we offer you the right solutions, services and products for sustainable and efficient application.



AUTOMOTIVE



AVIATION



MACHINE AND TOOL  
CONSTRUCTION



MEDICINE

A COMPANY OF THE  
ROEMHELD GROUP

## STARK Spannsysteme

The high-tech company STARK Spannsysteme, founded in 1977, is considered a pioneer in the development and manufacture of zero point clamping systems. It is the first company on the market to specialise exclusively in this technology, and has been doing so for decades.

Highest possible quality and precision distinguish what is probably the most comprehensive product range on the market in the field of highly productive workpiece clamping. STARK components, products and systems make manufacturing more efficient and flexible.



**ROEMHELD**  
HILMA ■ STARK

## **STARK** Spannsysteme

A company of the ROEMHELD Group

STARK Spannsysteme GmbH  
Römergrund 14 | 6830 Rankweil  
Austria

Fon +43 5522 37 400 -0  
Mail [verkauf@stark-inc.com](mailto:verkauf@stark-inc.com)

[www.stark-inc.com](http://www.stark-inc.com)